

AMG350-4GAT-1G-P75-PD INDUSTRIAL UNMANAGED 90W PD POWERED SWITCH WITH 30W POE



Industrial Ethernet Solutions

AMG's unmanaged PoE powered Ethernet switches provide 100Mbps or Gigabit Ethernet switching for simple edge network applications with 30W PoE. Available with 5x Gigabit RJ45 ports.



Gigabit x4	Gigabit x1	Temp -40°C~+75°C	Mounting DIN/Surface	PSU 802.3bt PoE	Protection IP40	NDA/TAA Compliant

[AMG350-4GAT-1G-P75-PD]

/ OVERVIEW

Designed in a compact DIN rail or wall mount housing, the AMG350 series unmanaged PoE powered Ethernet switches are ideally suited for connecting edge devices to Ethernet networks where more complex management functions are not required and where there is no local power available or installing local power would be cost prohibitive.

The switch is powered by an IEEE802.3at or bt PoE PD input on port 5 and provides IEEE802.3af/at 15/30W outputs on ports 1-4 (max 75W) and is suitable for powering PoE devices over a wide industrial operating temperature range.

The switch is compatible with any manufacturers IEEE802.3at or bt compliant PoE source device (PSE) and can act as a multi-port repeater for situations where distances above 100M (328ft) are required.

A wide range of models are available in the AMG350 product range to suit all unmanaged switch design requirements.

/ FEATURES

- Compact size – ideal for confined spaces, including camera poles and roadside cabinets
- Innovative thermally efficient housing ensures high levels of device reliability under full load
- -40°C to +75°C temperature maintains performance in extreme conditions
- Plug & Play – no need for any user configuration
- DIN rail mountable – quick to install and remove for maintenance
- IEEE802.3at/bt 30/60/90W PoE PD power input
- Supports 15W and 30W PoE outputs (75W Max)
- Auto-Negotiation (802.3u) – automatically determines the best connection speed
- Designed in the USA & UK. Manufactured in the United Kingdom
- AMG Lifetime Support Warranty

Specifications.

Standards.

IEEE802.3i	10Base-T
IEEE802.3u	100Base-TX
IEEE802.3ab	1000Base-T
IEEE802.3af	15W PoE
IEEE802.3at	30W PoE+
IEEE802.3bt	90W PoE (PD Only)
IEEE802.3x	Flow Control

Jumbo Frames	9.6Kbytes
Address Table	2K MAC Entries
Switch Fabric	10 Gbps
Buffer Memory	1M bits

Interface.

LED Indicators	1x Power RJ45 Link/Activity PoE PD BT PoE
RJ45 Ports	5x 10/100/1000T(X) RJ45 with Auto MDI/MDI-X with 2 kV Isolation Protection
Power	IEEE802.3at/bt 30/60/90W Powered PD

Power.

Power Inputs	1x IEEE802.3at/bt RJ45 Port
Operating Voltage:	
PoE Input	42.5-56V _{DC}
Power Consumption	4W Max (without PoE Load)
Total PoE Budget:	
50M (164ft) Cable	75W Max (with IEEE802.3bt PoE Input)
100M (328ft) Cable	65W Max (with IEEE802.3bt PoE Input)
PSE Modes	Mode A
PoE Enabled Ports	Ports 1-4
Protection	Reverse Polarity Overload Current

Packaging.

Shipping Weight	0.52kg / 1.15lb
Dimensions	(W x D x H) 220 x 170 x 40 mm 8.66 x 6.69 x 1.57 in

Mechanical.

Housing	Anodised Aluminium
Dimensions:	(W x D x H) 37 x 88 x 107 mm 1.46 x 3.46 x 4.21 in
Excluding DIN & Wall Mounts	
IP Rating	IP40
Installation	Wall Mount or DIN-Rail
Weight	0.3kg / 0.66lb

Environmental.

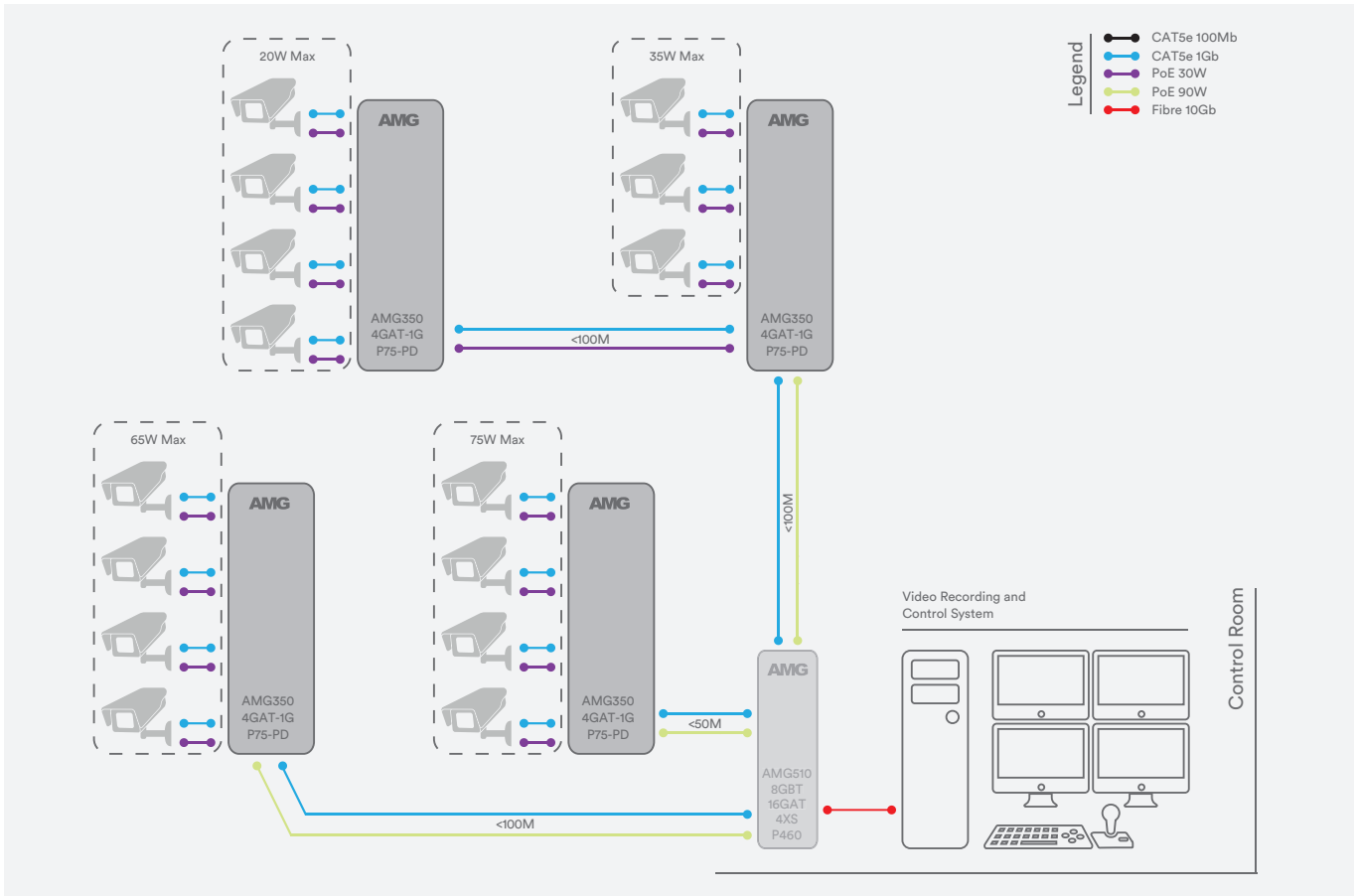
Operating Temp.	-40 to +75°C / -40 to +167°F
Storage Temp.	-40 to +85°C / -40 to +185°F
Humidity	5% to 95% (non-condensing)
MTBF	>537,083 hours
MTBF Standard	Telcordia SR-332 GB 50°C
Heat Dissipation	14 BTU/h (No PoE Load) 270 BTU/h (Max 75W PoE)
Cooling	Passive Cooling
Noise Level	0 dBA

Regulatory.

Safety	IEC/EN 62368-1
EMI	EN 55032 Class A CISPR 32 EN55024 FCC Part 15B Class A
EMS	EN 61000-4-2 (ESD) EN 61000-4-4 (EFT) EN 61000-4-5 (Surge)
Shock	IEC 60068-2-27
Free Fall	IEC 60068-2-32
Vibration	IEC 60068-2-6
Environmental	Reach RoHS WEEE
Supply Chain	NDAA & TAA Compliant

Designed to meet NEMA TS2 & EN 50121-4

Application Diagram.



Part Numbers.

5 Port Unmanaged PoE Powered 1Gb Ethernet Switches

AMG350-4GAT-1G-P75-PD 4x 10/100/1000TX 30W PoE (75W Max), 1x 10/100/1000TX IEEE802.3bt 90W Input

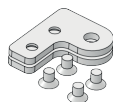
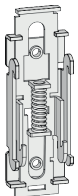
Included Accessories.

DIN Rail Adapter

Wall Mounting Brackets

Rear Mounted Metal DIN Rail Clip & Screws For DIN Rail Mounting AMG350 Series Products

2x Wall Mounting Brackets & Screws For Wall / Surface Mounting AMG350 Series Products



Optional Accessories.

AMG2035

Side Mounted Wall Bracket Adapter Kit For DIN Rail Mounting AMG350 Series Products In Depth Restricted Installations. Adapter Kit Can Be Extended Using The Included Extension Kit To Also Mount A DIN Rail Power Supply Up To 480W or Multiple Units.

Proud to be a British
Manufacturer

In a continuing effort to improve and advance technology, product specifications are subject to change without notice. Please visit www.amgsystems.com for the latest product specifications.

AMG Systems Ltd. 3 The Omega Centre, Stratton Business Park, Biggleswade, Bedfordshire, SG18 8QB, UK
T :: +44 (0) 1767 600 777 E :: sales@amgsystems.com
D33641-00

amgsystems.com

AMG